

The Genuine. The Original.



## HOMEOWNER'S GARAGE DOOR MANUAL

Models: All Overhead Wood Door Series

Read this manual carefully and observe all warnings when operating or maintaining your garage door.

1-800-929-DOOR

www.OverheadDoor.com

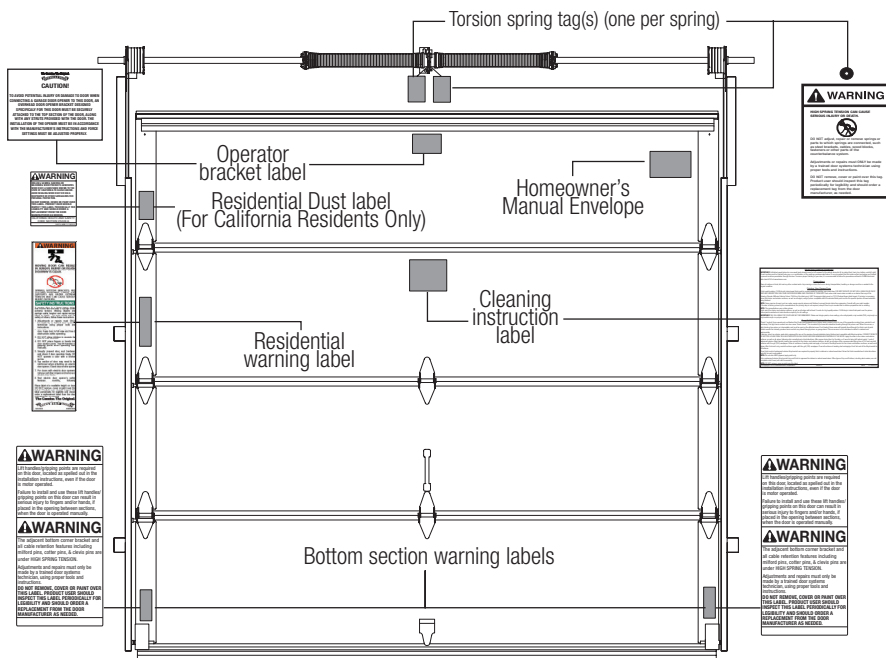
Keep this manual for future reference.

## LABEL PLACEMENT

**IMPORTANT:** IF THE LABELS ARE NOT APPLIED AT THE FACTORY, THEN ENSURE YOU PLACE ALL LABELS IN POSITION, AS SHOWN.

**NOTE:** The Spring Warning tag(s) are factory attached (one per spring).

**NOTE:** Because of different configurations, some labels may require minor relocations.



## CLEANING YOUR GARAGE DOOR

**IMPORTANT:** DO NOT USE A PRESSURE WASHER ON YOUR GARAGE DOOR!

An annual inspection of all the surfaces of your garage door(s) will reveal the extent of weathering and the possible need for refinishing. When the finish becomes eroded or thin, clean and prime any areas showing deterioration. Then completely refinish the door, according to the directions, listed below, or the manufacturer's label directions. Proper finishing of the wood substrates to protect your door(s) from the effects of moisture and sunlight is vital in extending the service life of and beautifying your garage door(s).

The interior and exterior surfaces, as well as all edges must be properly primed, painted and maintained, to protect and beautify your door. These finishing instructions are intended to achieve both objectives for your wood door(s).

**NOTE:** Be sure to clean behind weatherstrips on both sides and top of door.

**CAUTION:** NEVER MIX CLEANSERS OR DETERGENTS WITH BLEACH.

### GLASS CLEANING INSTRUCTIONS

Clean with a mild detergent solution (same as above) and a soft cloth. After cleaning, rinse thoroughly.

### ACRYLIC CLEANING INSTRUCTIONS

Clean acrylic glazing with nonabrasive soap or detergent and plenty of water. Use your bare hands to feel and dislodge any caked on particles. A soft, grit-free cloth, sponge or chamois may be used to wipe the surface. Do not use hard or rough cloths that will scratch the acrylic glazing. Dry glazing with a clean damp chamois.

**NOTE:** Do not use any window cleaning fluids, scouring compounds, gritty cloths or solvent-based cleaners of any kind.

## WOOD DOOR FINISHING GUIDELINES

**IMPORTANT:** UNFINISHED WOOD (PRIMED OR RAW WOOD) PARTS SHOULD NEVER BE LEFT EXPOSED TO THE NATURAL ELEMENTS. ALL SIX SIDES (FRONT, BACK, TOP, BOTTOM, AND LEFT, RIGHT) OF EACH SECTION MUST BE FINISHED USING ONE, OR A COMBINATION, OF THE COATINGS RECOMMENDED BELOW. IT'S VERY IMPORTANT THAT THE INSIDE SURFACE AND EDGES ARE FINISHED TO PREVENT MOISTURE PENETRATION THROUGH THE DOOR. TO ENSURE PROPER FINISHING OF YOUR DOOR, IT IS RECOMMENDED TO FOLLOW THE PROCEDURES OUTLINED IN DASMA TECHNICAL DATA SHEET #162 AT [WWW.DASMA.COM](http://WWW.DASMA.COM).

### Preparations

Clean all surfaces of dust, dirt and any other contaminants. Any scarring or stains that occur during transportation, handling or storage must be re-sanded to the original condition.

It is recommended to follow the procedures outlined in DASMA technical data sheet #162 at [www.dasma.com](http://www.dasma.com).

**Caulking:** All joints should be caulked with an exterior grade caulk prior to finish painting. In particular, many wood doors have a panel that sits in a slot on the rails. This slot is designed to be larger than the panel width to allow for expansion of the panel. Care should be taken to caulk these slots with a flexible exterior caulk after priming but before the finish coat is applied.

**Holes in door:** When required, nail, staple or screw holes should be filled with an exterior grade wood filler, sanded and finished along with the rest of the door.

## Painting Your Garage Door

A high quality exterior 100% Acrylic Latex based finish paint is recommended for painting your wood door. FOR BEST RESULTS DO NOT USE A DARK COLOR PAINT. HIGH HEAT ABSORPTION CAN CAUSE EXCESSIVE BOWING AND CRACKING OF THE WOOD. Dark colors shall mean colors as dark as or darker than any of the following Sherwin-Williams

Exterior Colors: 7069 Iron Ore (dark grey), 6447 Evergreens (dark green) or 7510 Chateau Brown (dark brown). If priming is necessary, prime the interior and exterior surfaces, as well as all edges, using a primer compatible with the selected finish paint and for the specific species of wood substrate being finished.

**NOTE:** Some species of wood, such as cedar, require special primers and finishes to prevent tannin stains from appearing. Consult with your paint supplier.

If the door is factory primed by Overhead Door Corp., the priming step is not required, except if touch-up is needed due to surface preparation and re-sanding.

**NOTE:** Overhead Door Corp. uses a latex primer.

Finish paint the interior and exterior surfaces, as well as all edges with at least 2 coats of a high quality exterior 100% Acrylic Latex finish paint over the primer. Follow paint manufacturer's label directions explicitly for all coatings.

**IMPORTANT:** THE FOLLOWING TOP COATS ARE NOT RECOMMENDED. SHAKE AND SHINGLE PAINTS, CLEAR COATINGS, OIL OR ALKYD PAINTS, VINYL ACETATE (PVA), VINYL ACRYLIC OR VINYL ACETATE ACRYLIC CO-POLYMER PAINTS.

## Clear Or Stained Finishes On Your Garage Door

"Tannin" content: Some woods such as Western Red Cedar and Redwood have a higher tannin content, which is one of the properties making them resistant to rot and decay. This high tannin content can also cause "tannin bleed". This is evident by a brownish coloration bleeding through the primer coat. When this occurs, a stain blocking type primer or intermediate coat must be used on the affected areas. If not treated, these areas will typically bleed through the finish coat of paint. Certain woods can naturally produce tannins which may bleed through primer on garage doors. This occurrence is not considered a defect in material and workmanship.

If staining, select an exterior grade stain, approved for use on the species of wood substrates being finished and compatible with Alkyd varnishes. FOR BEST RESULTS DO NOT USE A DARK STAIN. HIGH HEAT ABSORPTION CAN CAUSE EXCESSIVE BOWING AND CRACKING OF THE WOOD. Apply the stain to the interior and exterior surfaces, as well as all edges, following stain manufacturer's label directions. After proper drying time for the stain, or if wood is being left natural, apply 1 coat of waterproof exterior Alkyd varnish (marine type varnish) to the interior and exterior surfaces, as well as all edges. After recommended drying time of 1st coat, sand all surfaces with fine grit (320) sandpaper. Clean all surfaces of sanding dust and apply a 2nd coat of the Alkyd varnish to the interior and exterior surfaces, as well as all edges. After 2nd coat is dry, sand all surfaces again with fine grit (320) sandpaper. Clean all surfaces of sanding dust and apply a final 3rd coat of the Alkyd varnish to all surfaces.

Three finish coats of waterproof exterior Alkyd varnish are required to properly finish a stained or natural wood door. Follow the finish manufacturer's label directions explicitly for each coat applied.

**NOTE:** Do not stain MDO plywood, apply paint only.

Only a waterproof exterior Alkyd varnish top coat finish is approved for stained or natural wood doors. Other types of top coat finishes, including deck sealers, are not acceptable and if used, will void the warranty.

## SAFETY INFORMATION

**OVERVIEW OF POTENTIAL HAZARDS READ THIS SAFETY INFORMATION CONVENTIONS USED IN THESE INSTRUCTIONS:**

Garage doors are large, heavy objects that move with the help of springs under high tension and electric motors. Since moving objects, springs under tension, and electric motors can cause injuries, your safety and the safety of others depend on you reading the information in this manual. If you have questions or do not understand the information presented, call your nearest trained door system technician or visit our website.

The following Safety Alert symbol and signal words are used throughout this manual to call attention to and identify different levels of hazard and special instructions.

**IMPORTANT SAFETY INSTRUCTIONS READ AND FOLLOW ALL INSTRUCTIONS SAVE THESE INSTRUCTIONS.**

Potential Hazard	Effect	Prevention
Moving Door	<b>WARNING</b> Could result in Death or Serious Injury	Keep people clear of opening while Door is moving. Do NOT allow children to play with the Door Opener. Do NOT operate a Door that jams or one that has a broken spring.
High Tension Spring(s)	<b>WARNING</b> Could result in Death or Serious Injury	Do NOT try to remove, install, repair or adjust springs or anything to which door spring parts are fastened, such as, wood blocks, steel brackets, cables or other like items. Installations, repairs and adjustments must be done by a trained door system technician using proper tools and instructions.

**READ THIS SAFETY INFORMATION:**

### WARNING

**IF YOUR OLD DOOR OR NEW DOOR USES TORSION SPRINGS, DO NOT ATTEMPT TO REMOVE, INSTALL, REPAIR OR ADJUST THE SPRINGS YOURSELF. HAVE A TRAINED DOOR SYSTEM TECHNICIAN REMOVE, INSTALL, REPAIR OR ADJUST THEM. ATTEMPTING TO REMOVE, INSTALL, REPAIR OR ADJUST A TORSION SPRING ASSEMBLY WITHOUT PROPER TRAINING OR TOOLS MAY RESULT IN AN UNCONTROLLED RELEASE OF SPRING FORCES WHICH CAN CAUSE SERIOUS INJURY.**

### WARNING

**BE SURE THAT YOUR GARAGE COMPLIES WITH ALL APPLICABLE STATE AND OR LOCAL VENTILATION REQUIREMENTS BEFORE YOU ENCLOSE ANY VEHICLES IN THE GARAGE. GOOD VENTILATION AVOIDS FIRE AND HEALTH HAZARDS CAUSED BY FUMES ACCUMULATING WITHIN A WELL-SEALED GARAGE.**

### WARNING

**DRILLING, SAWING, SANDING OR MACHINING WOOD PRODUCTS GENERATES WOOD DUST, A SUBSTANCE KNOWN TO THE STATE OF CALIFORNIA TO CAUSE CANCER. AVOID INHALING WOOD DUST OR USE RESPIRATOR OR OTHER SAFEGUARDS FOR PERSONAL PROTECTION. CALIFORNIA HEALTH AND SAFETY CODE SECTION 25249.6**

- Do NOT permit children to play beneath or with any garage door or electric operating controls.
- Keep hands and fingers clear of section joints, track, and other door parts when the door is opening and closing to avoid injury. The lift handles are located for safe operation as well as easy use.
- Bolts must be installed at the rear end of horizontal tracks. These act to stop the rollers and keep the door from rolling off the back of the track.
- Track installations must use sway braces on the rear track hangers to prevent sideways movement. If the tracks are NOT firmly stabilized they might spread, allowing the door to fall and cause severe injury and damage.
- Springs, Cables, and Bottom Corner Brackets are under strong spring tension. Do NOT attempt to remove, repair or adjust any fasteners on these components or anything to which these parts are attached, such as wood blocks, steel brackets, or other like items. You could suddenly release spring forces and risk severe injury.
- If the garage door and/or any of the supporting tracks are damaged, operating the door could be hazardous. Take the door out of service and call a trained door system technician to promptly service or repair the door.
- KEEP DOORS PROPERLY BALANCED. An improperly balanced door increases the risk of severe injury or death. Have a trained door system technician make repairs to cables, spring assemblies and other hardware as necessary.
- Doors equipped with automatic door operators can cause serious injury or death if NOT properly adjusted and operated. To ensure safety of these doors:
  - Never let children operate or play with the door controls. Keep the remote control away from children,
  - Always keep the moving door in sight and people and objects away from the door until the door is completely closed. NO ONE SHOULD CROSS THE PATH OF THE MOVING DOOR,
  - NEVER GO UNDER A STOPPED, PARTIALLY OPEN DOOR,
  - Test operator monthly. The door MUST reverse on contact with a 1-1/2" high object (or a 2" x 4" board laid flat) at the center of the doorway on the floor. If the door does NOT reverse, re-test the door operator after adjusting either the force or the limit of travel in accordance with the manufacturer's instructions. Failure to adjust the operator properly may result in severe injury or death,
  - When possible, use the emergency release only when the door is closed. Use caution when using this release with the door open. Weak or broken springs are capable of increasing the rate and force of door closure and increasing the risk of severe injury or death, and
  - If your door has a pull down rope or locking mechanism, you must remove the rope and either disable or remove any door locks.

## GENERAL INFORMATION

Operate the door only when it is properly adjusted and free of obstructions. If the door is hard to operate or does not move, call a trained door system technician for repair.

If door is to be electrically operated, remove pull ropes and remove or disable the lock.

Repaint the door when paint is worn or damaged. Do not paint track, track rollers, graduated hinges, counterbalance lift cables, springs, lock, or warning labels.

**CAUTION:** KEEP ICE AND SNOW FROM ACCUMULATING AT THE BOTTOM OF THE DOOR DURING WINTER WEATHER CONDITIONS. ICE AND/OR FROZEN SNOW MAY CAUSE THE DOOR AND BOTTOM SEAL TO STICK TO THE FLOOR. OPERATING A STRUCK DOOR MAY CAUSE PERMANENT DAMAGE TO THE DOOR SYSTEM.

## Recommendations

The manufacturer has designed and sized the components specifically for each type of door. The door will operate safely and efficiently over an extended period of time if it is **PROPERLY INSTALLED, OPERATED, and MAINTAINED**. The manufacturer recommends that the garage door be inspected and lubricated regularly as described in this manual.

## Manual Operation

If provided, always use lift handles / suitable gripping points when operating the door manually. Do not place fingers or hands between sections. Use step plates, if provided, for manual operation.

## WOOD DOOR INSPECTION AND MAINTENANCE GUIDELINES

Inspecting and maintaining the finish of a wood garage door is highly important to help control the effects of moisture and sunlight on the aesthetic appearance and overall integrity of the door. It is recommended to follow the procedures outlined in DASMA technical data sheet #179 at [www.dasma.com](http://www.dasma.com).

1. Top coat condition. Look for fading, peeling, chipping, or any residual build up. In addition, if the door looks or feels "dry" it is probably a good indication as to the necessity of finish maintenance. In places where the finish appears to be eroded or thin, first clean and properly prepare those areas. Products should be used that are compatible with the original finish. Consult the finish manufacturer's guidelines for further information on cleaning, maintenance and refinishing.
2. Shrinkage/expansion. This condition should be addressed by filling, caulking, sanding, and applying another top coat of finish.
3. Surface smoothness. Light sanding of the entire face of the door may be required prior to reapplication of any paint or stain.
4. Integrity of the wood. Visually inspect the wood at all hardware attachment points. If any hardware appears to be loose, do not operate the door until inspected by a trained door systems technician. The bottom section is a location of most water infiltration due to moisture wicking up from the bottom, or pooling on a horizontal cross member and then seeping down to the internal membrane or core. The top section is of concern particularly if an operator arm bracket and the top roller brackets are attached.

All mechanical devices require periodic service and/or maintenance, and garage doors are no exception. The amount and frequency of preventive maintenance required depends on the local environment conditions and the frequency of door use. Preventive maintenance should be performed at least every six months, however more maintenance may be required if conditions warrant. Maintenance includes lubrication of moving parts and inspection of certain components for tightness. The following maintenance and inspection recommendations may be established until actual operating conditions dictate otherwise.

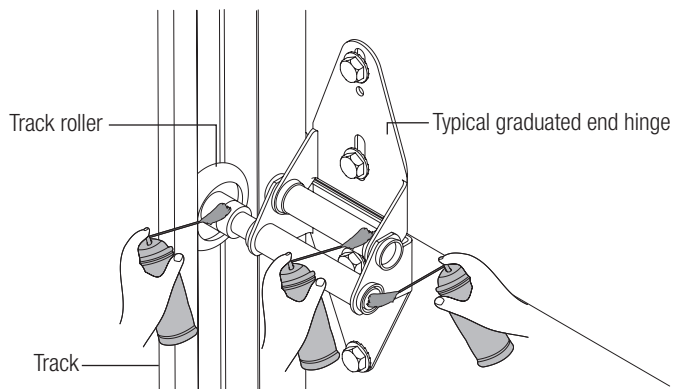
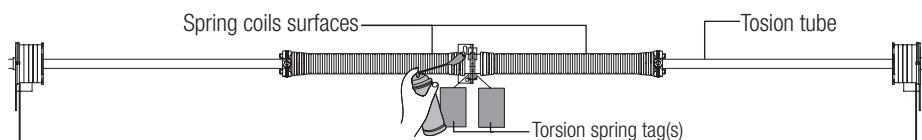
## Door Tracks

Springs, hinges, track and cable are included in this category. See DASMA technical data sheet #167 at [www.dasma.com](http://www.dasma.com) for a more complete inspection list.

Keep tracks free of oil or grease so track rollers move freely. Grease attracts dirt and dust which build up and keep door from moving smoothly.

**LIGHTLY OIL:** Graduated Hinge Points, Steel Track Roller Stems and inner race assembly (Non-metal rollers do not require lubrication.), Locking Device moving parts, Torsion Spring (Head plate bearing surfaces, torsion tube, and spring coil surfaces).

Lubrication reduces wear and friction. A 30w or other medium weight oil is satisfactory. Wipe off excess oil from door and track surfaces.



## Hardware Inspection

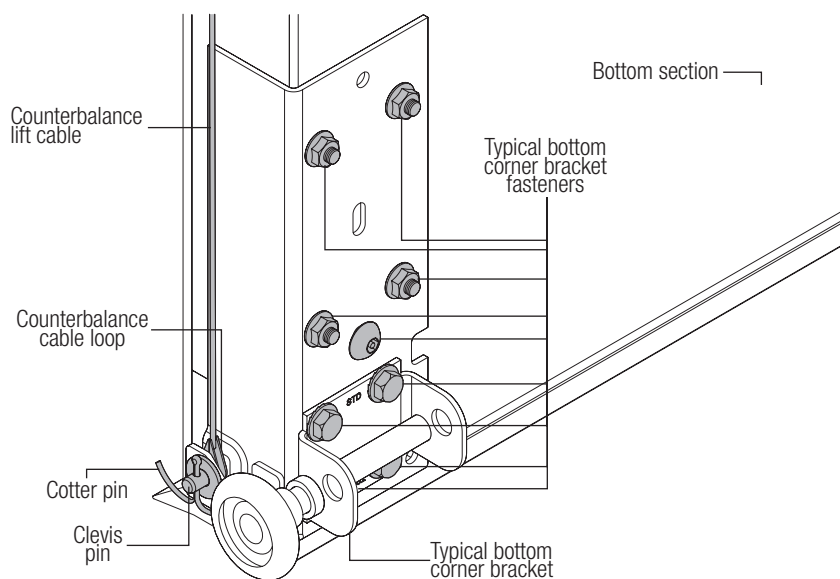
Close and lock the door. Inspect the handles, step plates, hinges, top fixtures, bottom fixtures, locking devices, and track brackets to make sure that they are securely attached. Tighten fasteners as necessary. **DO NOT** over tighten; excess tightening may strip the threads and make the fastener useless.

### WARNING

**HOMEOWNER! TORSION SPRINGS SHOULD ONLY BE REMOVED, INSTALLED, REPAIRED OR ADJUSTED BY A TRAINED DOOR SYSTEM TECHNICIAN. ATTEMPTING TO REMOVE, INSTALL, REPAIR OR ADJUST A TORSION SPRING ASSEMBLY WITHOUT PROPER TRAINING AND TOOLS MAY RESULT IN AN UNCONTROLLED RELEASE OF SPRING FORCES WHICH COULD CAUSE SERIOUS OR FATAL INJURY.**

### WARNING

**NEVER LOOSEN FASTENERS ON BOTTOM CORNER BRACKET. USE CAUTION WHEN TIGHTENING FASTENERS BECAUSE BOTTOM FIXTURE IS UNDER HIGH SPRING TENSION. BOTTOM CORNER BRACKETS, COUNTERBALANCE LIFT CABLES, DRUMS, PULLEYS, SHAFTS, AND BRACKETS ARE UNDER HIGH SPRING TENSION. DO NOT ATTEMPT REPAIRS ON ANY OF THESE ITEMS. CALL A TRAINED DOOR SYSTEM TECHNICIAN.**



## Cable Inspection

Inspect the cables. The cables should be tight and secured to the bottom fixtures. The cables should not rub against the door, track or any other objects. Cables with frayed or broken strands should be replaced by a trained door system technician.

## Counterbalance Lift Cable Assemblies

### WARNING

**HOMEOWNER! TORSION SPRINGS SHOULD ONLY BE REMOVED, INSTALLED, REPAIRED OR ADJUSTED BY A TRAINED DOOR SYSTEM TECHNICIAN. ATTEMPTING TO REMOVE, INSTALL, REPAIR OR ADJUST A TORSION SPRING ASSEMBLY WITHOUT PROPER TRAINING AND TOOLS MAY RESULT IN AN UNCONTROLLED RELEASE OF SPRING FORCES WHICH COULD CAUSE SERIOUS OR FATAL INJURY.**

### WARNING

**BOTTOM CORNER BRACKETS, COUNTERBALANCE LIFT CABLES, DRUMS, PULLEYS, SHAFTS, AND BRACKETS ARE UNDER HIGH SPRING TENSION. DO NOT ATTEMPT REPAIRS ON ANY OF THESE ITEMS. CALL A TRAINED DOOR SYSTEM TECHNICIAN.**

## Broken or Slipped Cable

If a cable breaks, or cable slips off a torsion spring drum, the door may cock or wedge into the tracks. DO NOT continue to use the door. DO NOT attempt repairs. Call a trained door system technician to repair the door.

## Broken Spring

### WARNING

**HOMEOWNER! TORSION SPRINGS SHOULD ONLY BE REMOVED, INSTALLED, REPAIRED OR ADJUSTED BY A TRAINED DOOR SYSTEM TECHNICIAN. ATTEMPTING TO REMOVE, INSTALL, REPAIR OR ADJUST A TORSION SPRING ASSEMBLY WITHOUT PROPER TRAINING AND TOOLS MAY RESULT IN AN UNCONTROLLED RELEASE OF SPRING FORCES WHICH COULD CAUSE SERIOUS OR FATAL INJURY.**

If a spring breaks, the door will not be counterbalanced and may fall if opened. DO NOT continue to use the door. DO NOT attempt repairs. Call a trained door system technician to repair the door.

## Overhead Door Corporation Limited Warranty

The Distributor of Overhead Door Corporation products whose name appears below ("Seller") warrants to the original purchaser of the \_\_\_\_\_ Series Residential Wood Garage Door ("Product"), subject to all of the terms and conditions hereof, that the Product and all components thereof will be free from defects in materials and workmanship for the following period(s) of time, measured from the date of installation:

One (1) year

Seller's obligation under this warranty is specifically limited to repairing or replacing, at its option, any part which is determined by Seller to be defective during the applicable warranty period. Seller's repair or replacement labor is included for a period of One (1) year from the date of installation. After that, any labor charges are excluded and will be the responsibility of the purchaser.

This warranty gives you specific legal rights, and you may also have other rights which vary from state to state. This warranty is made to the original purchaser of the Product only, and is not transferable or assignable. This warranty applies only to Product installed in a residential or other non-commercial application. It does not cover any Product installed in commercial or industrial building applications. This warranty does not apply to any unauthorized alteration or repair of the Product, or to any Product or component which has been damaged or deteriorated due to misuse, neglect, accident, puncture, drilling of holes (other than as directed by Seller), incorrect installation of hardware, fire, failure to provide necessary maintenance, normal wear and tear, exposure to salt or other corrosive environments, or acts of God or any other cause beyond the reasonable control of Seller. This warranty also specifically excludes all refinishing costs and any inconsistencies or occurrences related to the characteristics or attributes of natural wood, including but not limited to: (i) variations in the color or grain of Product sections, (ii) the emission or secretion of tannins from the Product sections which may stain or alter the color of a painted Product, and (iii) cracking, checking, lifting wood grain or cracking due to natural expansion and contraction of the Product sections.

**SPECIAL PAINTING REQUIREMENTS:** This warranty shall be void if the Product sections are not painted or sealed in accordance with DASMA TDS 162 (available at [www.dasma.com](http://www.dasma.com)) on all sides, including all edges with one (1) coat of exterior grade primer (or stain) and two (2) coats of high quality acrylic latex exterior grade finish paint (or sealer), applied in accordance with the paint or Sealer manufacturer's instructions and Overhead Door Corporation's painting and maintenance instructions. Sections must be finished within five (5) days of receipt and prior to installation. Damage caused by exposure of the product to water, moisture, sun or other conditions prior to completion of painting (or Sealing) is excluded. This warranty shall also be void if the Product is painted a dark color, including but not limited to black, dark grey, dark green and dark brown\*.

ALL EXPRESS AND IMPLIED WARRANTIES FOR THE PRODUCT, INCLUDING BUT NOT LIMITED TO ANY IMPLIED WARRANTIES OF MERCHANTABILITY AND FITNESS FOR A PARTICULAR PURPOSE, ARE LIMITED IN TIME TO THE APPLICABLE WARRANTY PERIOD REFLECTED ABOVE. NO WARRANTIES, WHETHER EXPRESS OR IMPLIED, WILL APPLY AFTER THE LIMITED WARRANTY PERIOD HAS EXPIRED. Some states do not allow limitations on how long an implied warranty lasts, so the above limitation may not apply to you.

IN NO EVENT SHALL OVERHEAD DOOR CORPORATION BE RESPONSIBLE FOR, OR LIABLE TO ANYONE FOR, SPECIAL, INDIRECT, COLLATERAL, PUNITIVE, INCIDENTAL OR CONSEQUENTIAL DAMAGES, even if Overhead Door Corporation has been advised of the possibility of such damages. Such excluded damages include, but are not limited to, loss of use, cost of any substitute product, or other similar indirect financial loss. Some states do not allow the exclusion or limitation of incidental or consequential damages, so the above limitation or exclusion may not apply to you.

Claims under this warranty must be made promptly after discovery, within the applicable warranty period, and in writing to the Seller whose name and address appear below. The purchaser must allow Seller a reasonable opportunity to inspect any Product claimed to be defective prior to removal or any alteration of its condition. Proof of the purchase and/or installation date, and identification as the original purchaser, may be required. There are no established informal dispute resolution procedures of the type described in the Magnuson-Moss Warranty Act.

\* Dark colors shall mean colors as dark as or darker than any of the following Sherwin-Williams Exterior Colors: 7069 Iron Ore (dark grey), 6447 Evergreens (dark green) or 7510 Chateau Brown (dark brown).

SELLER: \_\_\_\_\_

SELLER'S ADDRESS: \_\_\_\_\_

\_\_\_\_\_